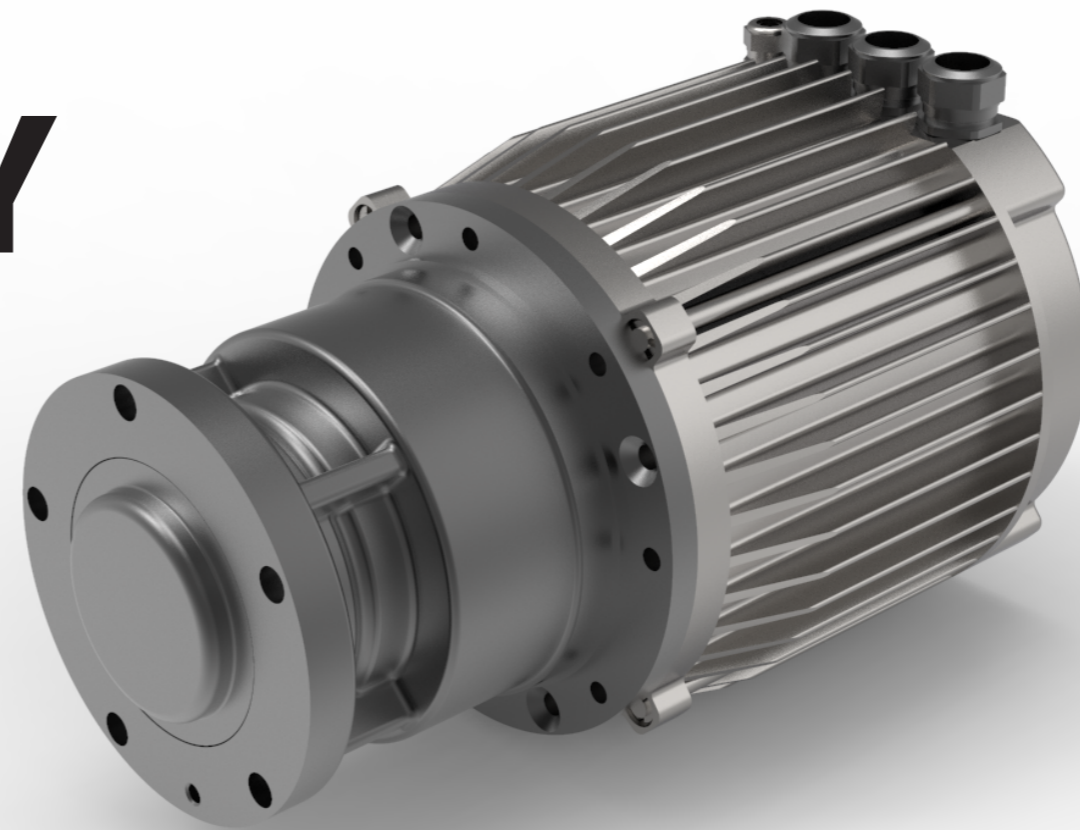
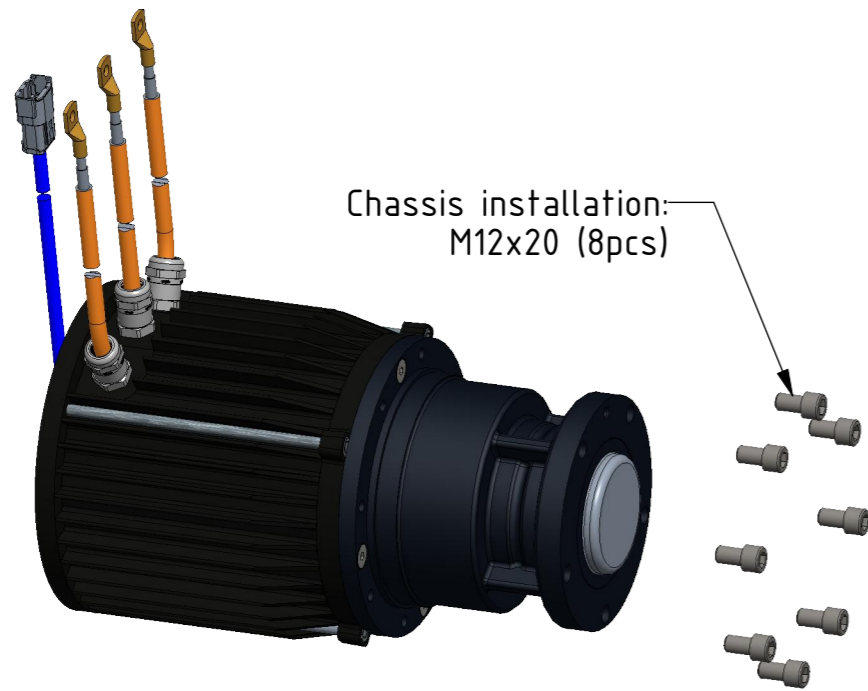
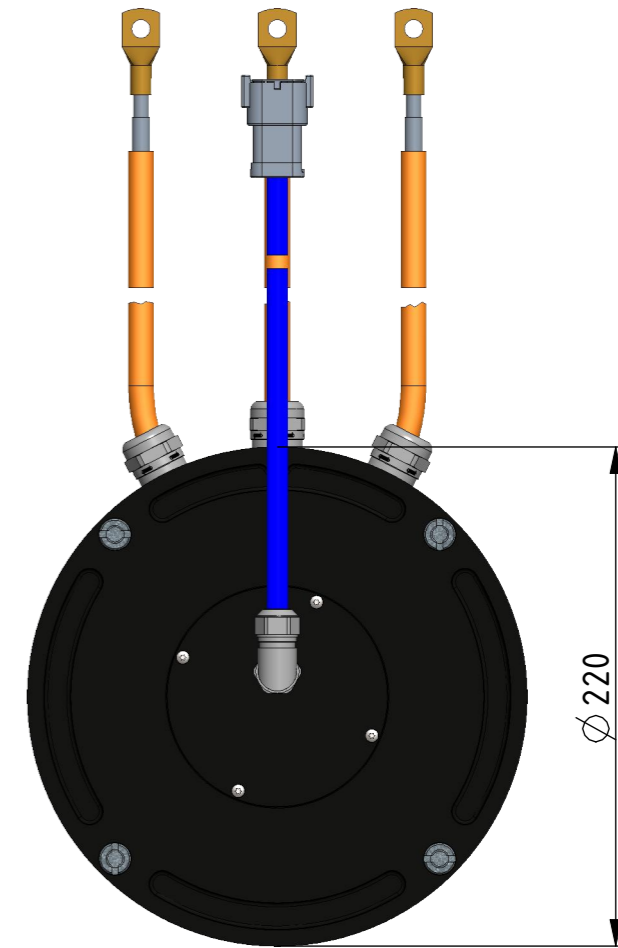
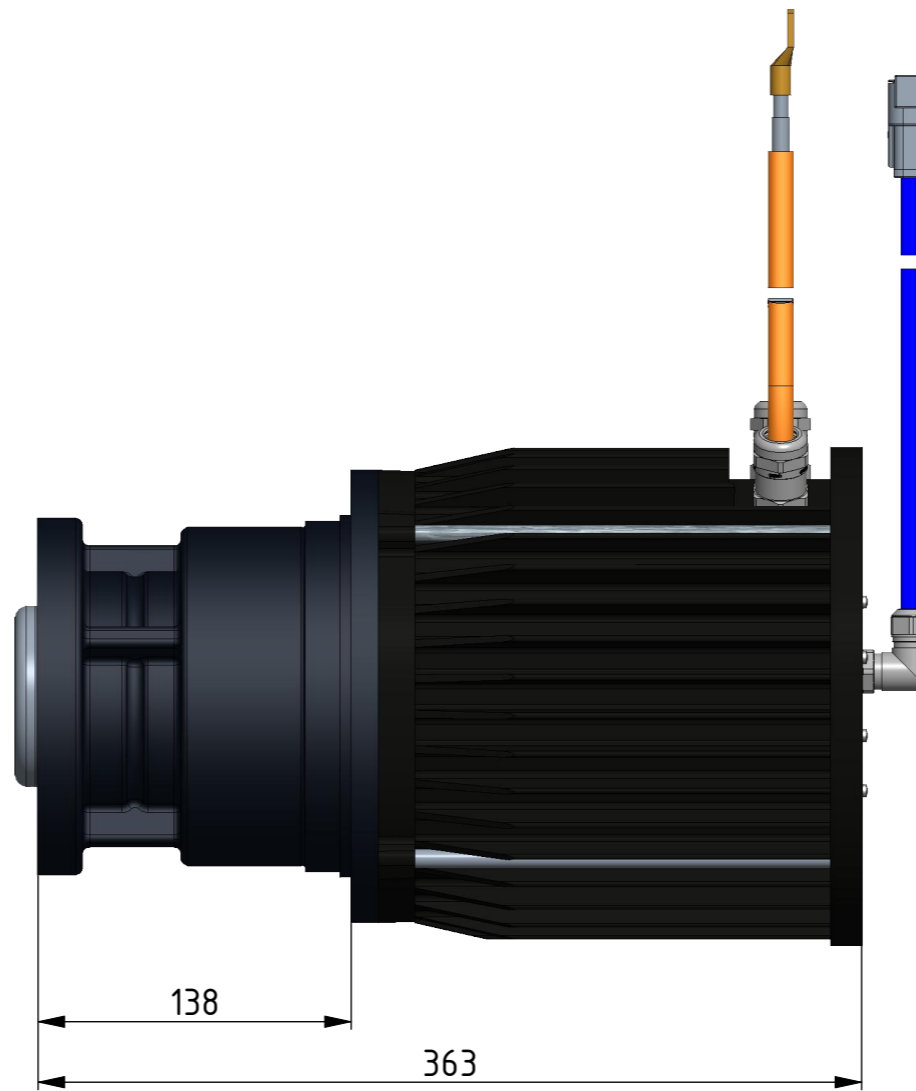
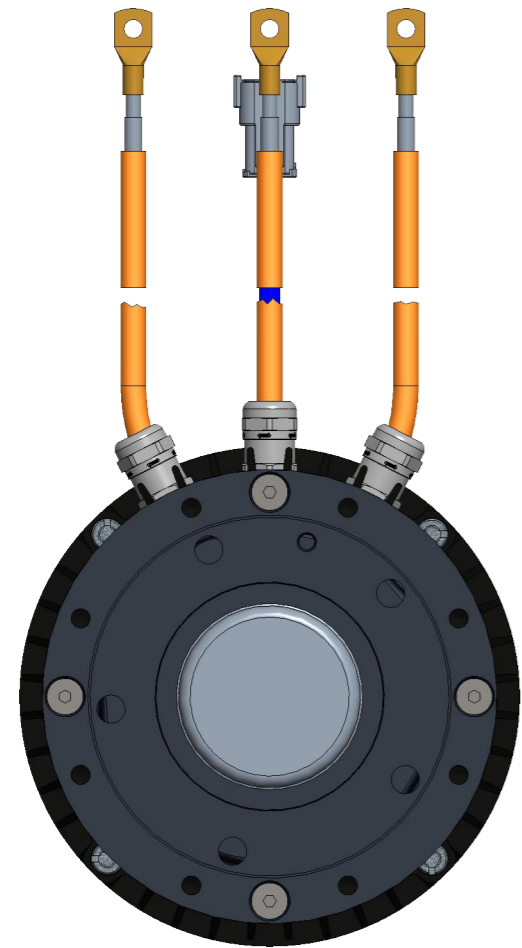


BL 180 FAMILY



© KOLEKTOR HOLDING d.d. in njene povezane družbe. Vse pravice pridržane. Brez dovoljenja je prepovedano kakršnokoli reproduciranje, distribucija, predelava ali druga uporaba.
 © KOLEKTOR HOLDING d.d. and its affiliated companies. All rights reserved. Any reproduction, distribution, processing or other use is prohibited without permission.

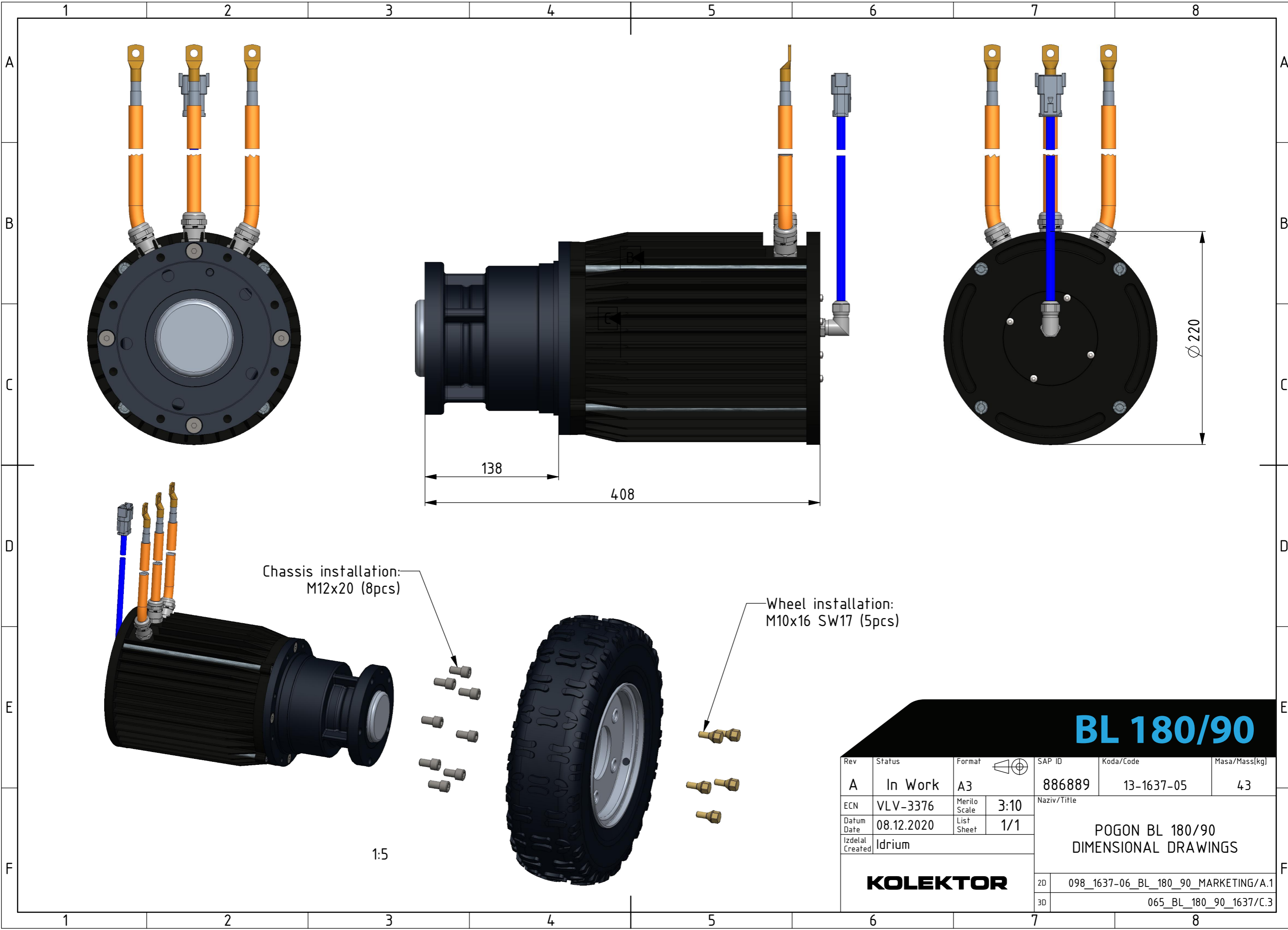


Wheel installation:
M10x16 SW17 (5pcs)

BL 180/45

Rev	Status	Format	SAP ID	Koda/Code	Masa/Mass (kg)
A	In Work	A3	900920	13-1637-06	38
ECN	VLV-3397	Merilo Scale	Naziv/Title		
Datum Date	07.12.2020	List Sheet	DRIVE BL 180/45		
Izdelal Created	Idrium		DIMENSIONAL DRAWINGS		
KOLEKTOR		2D	098_1637-06_BL_MARKETING/A.1		
		3D	065_BL_180_45_1637_06_/B.3		

© KOLEKTOR HOLDING d.d. in njene povezane družbe. Vse pravice pridržane. Brez dovoljenja je prepovedano kakršnokoli reproduciranje, distribucija, predelava ali druga uporaba.
 © KOLEKTOR HOLDING d.d. and its affiliated companies. All rights reserved. Any reproduction, distribution, processing or other use is prohibited without permission.



BL 180/90					
Rev	Status	Format	SAP ID	Koda/Code	Masa/Mass(kg)
A	In Work	A3	886889	13-1637-05	43
ECN	VLV-3376	Merilo Scale	3:10	Naziv/Title	
Datum Date	08.12.2020	List Sheet	1/1		
Izdelal Created	Idrium		POGON BL 180/90 DIMENSIONAL DRAWINGS		
KOLEKTOR					
				2D	098_1637-06_BL_180_90_MARKETING/A.1
				3D	065_BL_180_90_1637/C.3